

Description

The G123-819 is an analog signal processing circuit primarily intended to set the ramp rate of a step input command signal, for a closed loop control system. Typical applications are to limit the maximum velocity in a position servo or acceleration in a velocity servo. The "ramp rate" is set by an external analog input signal of +1V to +10V, a higher voltage producing a faster ramp.

A "hold" control input stops the ramp and freezes the output signal. This feature is useful as a system stop, a de-bugging tool or a motion-profiling tool. When the hold input is removed, the output continues to ramp from its present value.

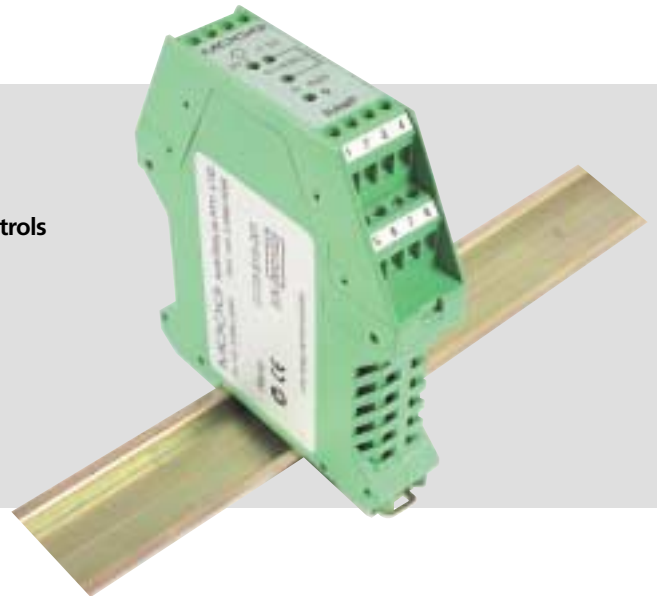
A "manual" control input enables a front panel trimpot to set the ramp rate, the externally connected signal being ignored when manual is selected. This feature is useful when there is no external device available to set the ramp rate.

When external ramp rate mode is selected but there is no ramp setting signal connected, the module defaults to 50% ramp rate, which is 20V/S. This ensures the module continues to function if the external ramp rate wiring is broken.

The G123-819 Ramp is housed in a compact DIN rail mounting enclosure and requires a 24V DC power supply.

Features

- Ramp rate set by analog input
- Manual (internal) and external ramp rate selection
- Output hold control
- Default 50% ramp rate
- Manual and hold inputs
- Convenient front panel controls and indicators
- Compact DIN rail housing
- CE marked



Specifications

Signal output: 0 to $\pm 10V$
 $\pm 10mA$ max

Output creep rate in hold: +15mV per minute max

Signal input: 0 to $\pm 10V$
R in = 100kOhm connected to 0V

Ramp rate input: +1 to +10V
R in = 67kOhm connected to +5V
+1V = 4V/S
+10V = 40V/S
Default = 20V/S

Front panel indicators: Vs, internal supply – green
Ramp active, positive – red
negative – green
Man, manual selected – amber
Hold, hold selected – amber

Front panel test points: Vo, output, 0 to $\pm 10V$
Man. ramp rate, +1 to +10V
 \downarrow 0V reference

Front panel trimpot: Man. ramp rate
FCW = 40V/S
FCCW = 4V/S

Man. and hold inputs: Relay, +24V nominal, 21 to 28V
6mA @ 24V

Supply: 24V nominal, 22 to 28V
40mA @ 24V, all LED's illuminated and no output load.

Mounting: DIN rail, IP 20

Temperature: 0 to +40°C

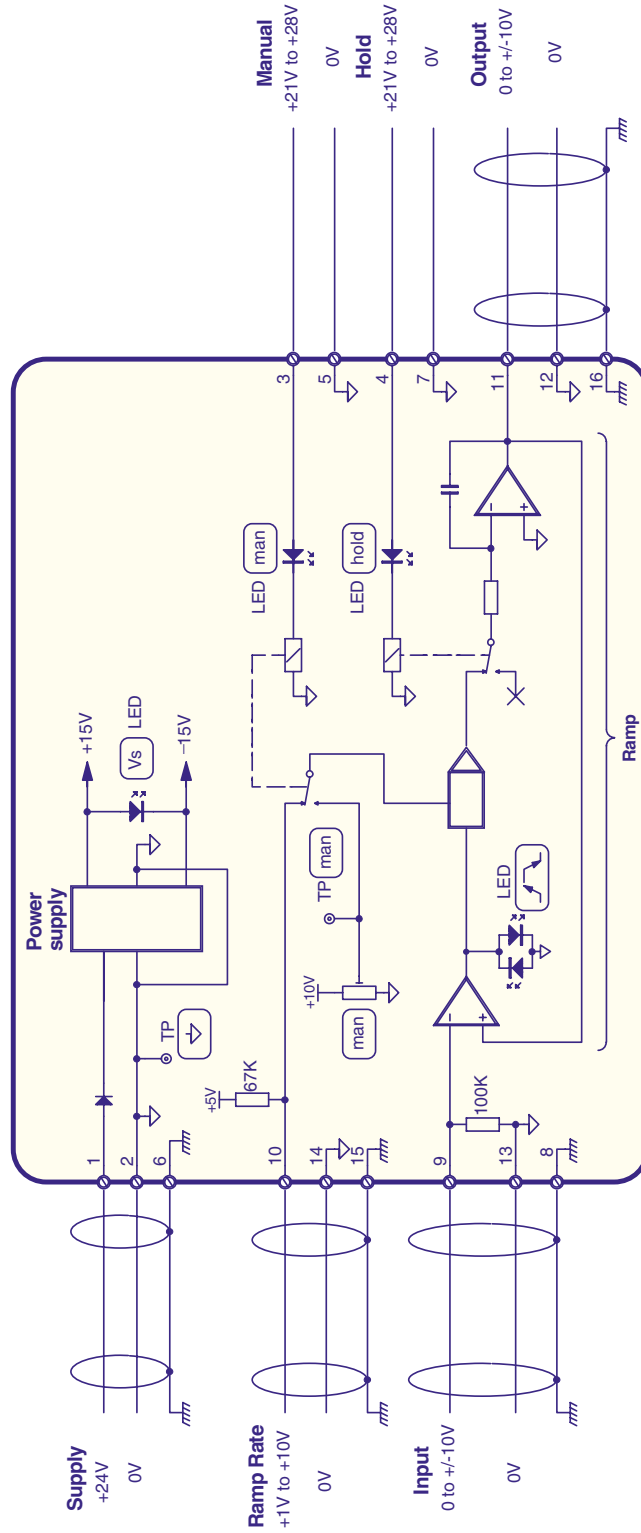
Dimensions: 100W x 108H x 22.5D

Weight: 126g

CE mark: EN61000-6-3 emission
EN61000-6-2 immunity

C tick: EN61000-6-3 emission

Operating details



Internet Data

For detailed Application Notes and the latest version of this Data Sheet please refer to the Moog website www.moog.com/dinmodules

MOOG

Industrial Controls Division. Moog Inc., East Aurora, NY 14052-0018. Telephone: 716/652-3000. Fax: 716/655-1803. Toll Free 1-800-272-MOOG.

Moog GmbH. Germany. Telephone: 07031-622-0. Fax: 07031-622-100.

Moog Sarl. France. Telephone: 01 45 60 70 00. Fax: 01 45 60 70 01.

Moog Australia Pty. Ltd. Telephone: 03 9561 6044. Fax: 03 9562 0246.

Moog pursues a policy of continuous development and reserves the right to alter designs and specifications without prior notice. Information contained herein is for guidance only and does not form part of a contract.

Australia: Melbourne, Sydney, Brisbane ■ Austria: Vienna ■ Brazil: São Paulo ■ Denmark: Birkerød ■ England: Tewkesbury ■ Finland: Espoo ■ France: Rungis ■ Germany: Böblingen, Dusseldorf ■ Hong Kong: Shatin ■ India: Bangalore
Ireland: Ringaskiddy ■ Italy: Malnate (VA) ■ Japan: Hiratsuka ■ Korea: Kwangju-Kun ■ Philippines: Baguio City ■ Singapore: Singapore ■ Sweden: Askim ■ USA: East Aurora (NY)